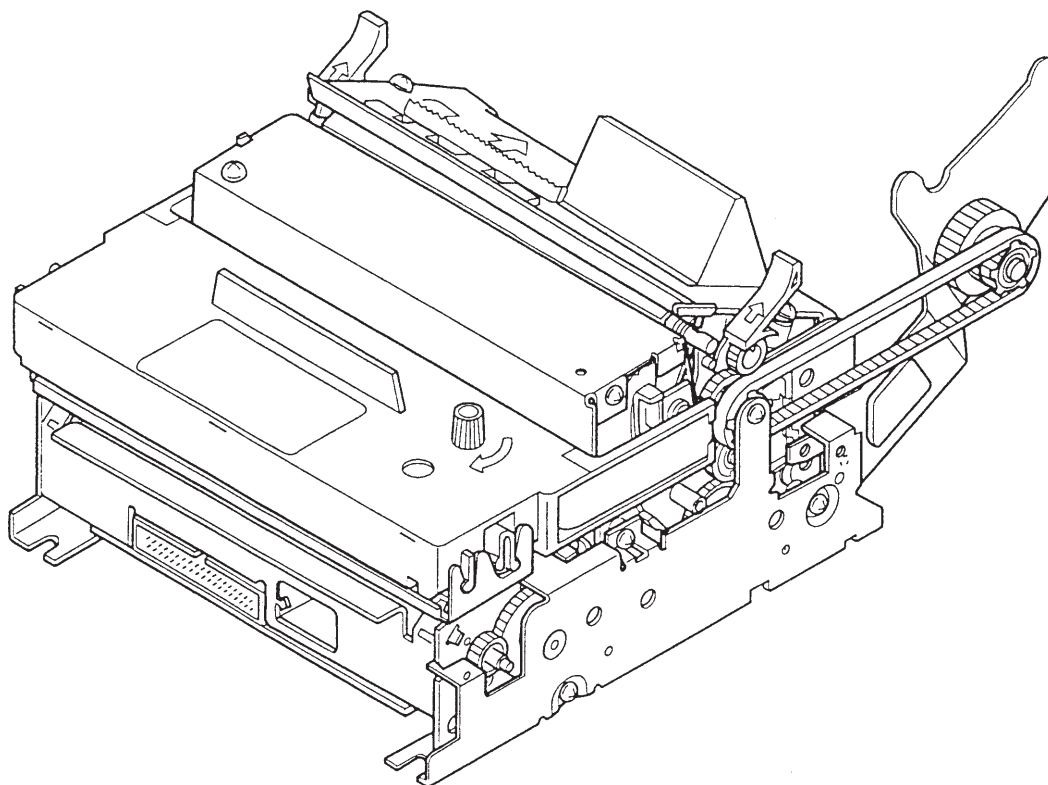

TECHNICAL MANUAL

(without price)

SERIAL DOT PRINTER

DP730 Series

AUG. 1995



CASIO®

Table of Contents

Section 1	Using and Maintaining the Printer	1
Section 2	Specifications and Principle of Operation	2
2-1	General Specifications	2
2-2	Outline of Mechanisms	4
2-3	Mechanisms and Principle of Operation	4
2-3-1	Power transmission mechanism	4
2-3-2	Sensor mechanism	4
2-3-3	Print head mechanism	5
2-3-4	Paper feed mechanism	6
2-3-5	Ribbon cassette mechanism	6
2-3-6	Paper take-up mechanism	7
2-3-7	Stamp mechanism	8
2-3-8	Auto cutter mechanism (option)	8
2-4	External Connectors	9
2-4-1	Terminal layout	9
2-4-2	Terminal function	9
2-4-3	Terminal circuit diagram	10
Section 3	Disassembly and Re-assembly	11
3-1	List of Tools and Measuring Instruments	11
3-2	Disassembly Procedure	11
3-3	Assembly Procedure	11
3-4	Adjustment Procedure	23
3-4-1	Printing speed adjustment	23
3-4-2	Platen/head gap adjustment	24
3-4-3	Bi-directional printing error adjustment	24
3-4-4	RP/HP waveform confirmation	25
3-4-5	Validation sensor adjustment	25
3-4-6	Paper near end sensor adjustment	25
3-5	Replacing the Head Assembly	26
3-5-1	Removal procedure	26
3-5-2	Assembly procedure	27
Section 4	Troubleshooting	29
4-1	Repair Procedure	29
4-2	Repair Guide	29
Section 5	Parts Lists	35

This is a “Table of Contents preview” for quality assurance

The full manual can be purchased from our store:

[https://the-checkout-tech.com/manuals/casio/DP730S printer technical manual.html](https://the-checkout-tech.com/manuals/casio/DP730S%20printer%20technical%20manual.html)

And our free Online Keysheet maker:

<https://the-checkout-tech.com/Cash-Register-Keysheet-Creator/>

[HTTPS://THE-CHECKOUT-TECH.COM](https://THE-CHECKOUT-TECH.COM)